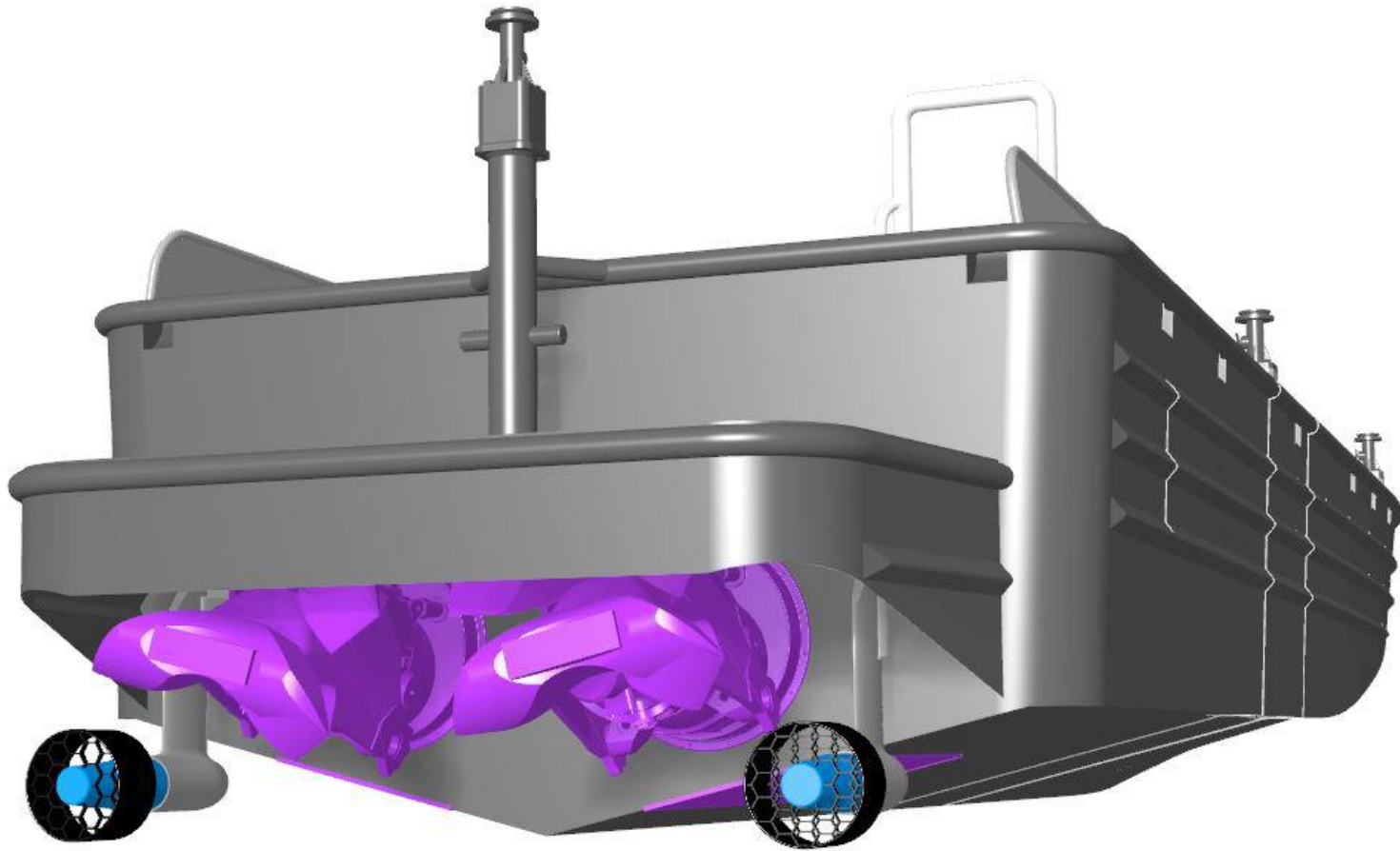
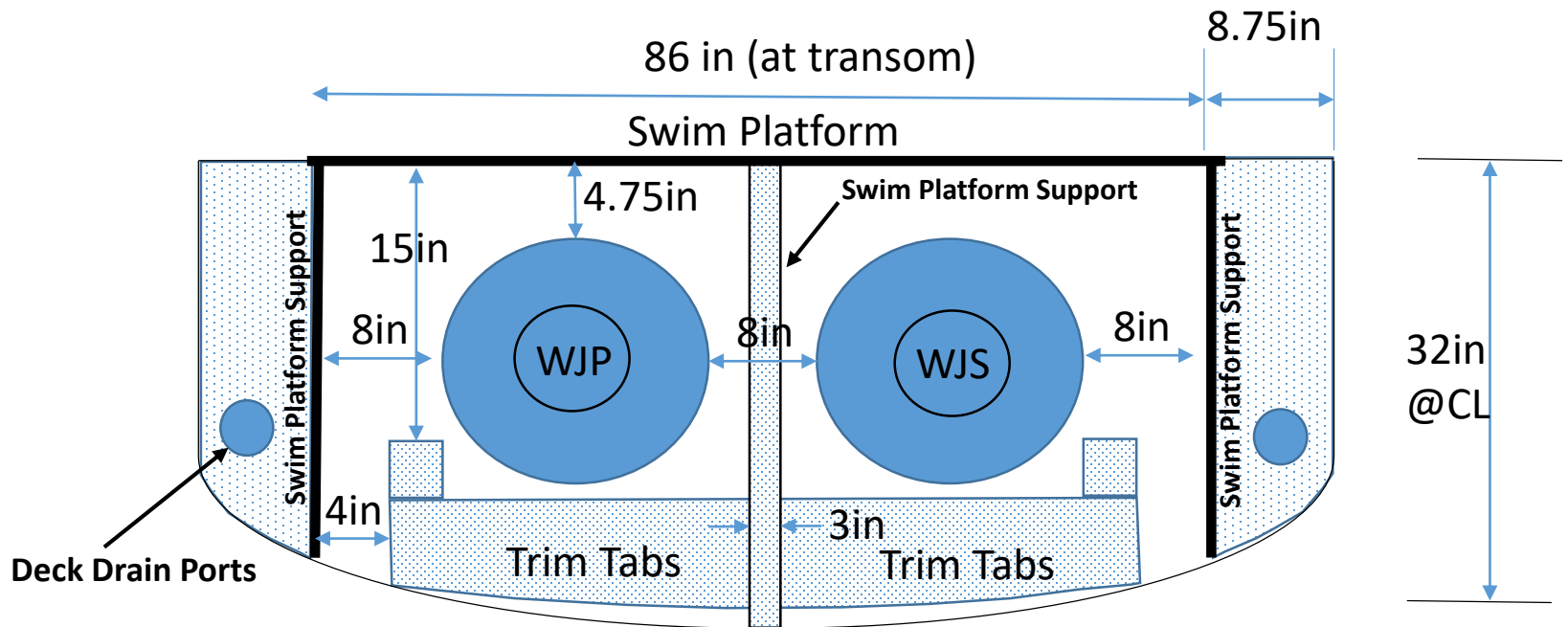


Sample sketch (conceptual only, trim tabs and other supports are not shown)



Measured Clearances on Transom



Deck of swim platform is 33 in Fore/Aft and 60 in wide at furthest aft point

Transom attachments must be in unshaded regions

There are two 28 x 22 inch regions of deck space aft of the engine compartments to store batteries or other onboard systems